

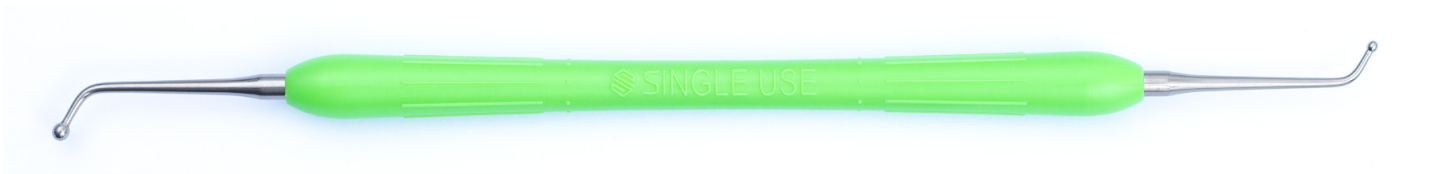
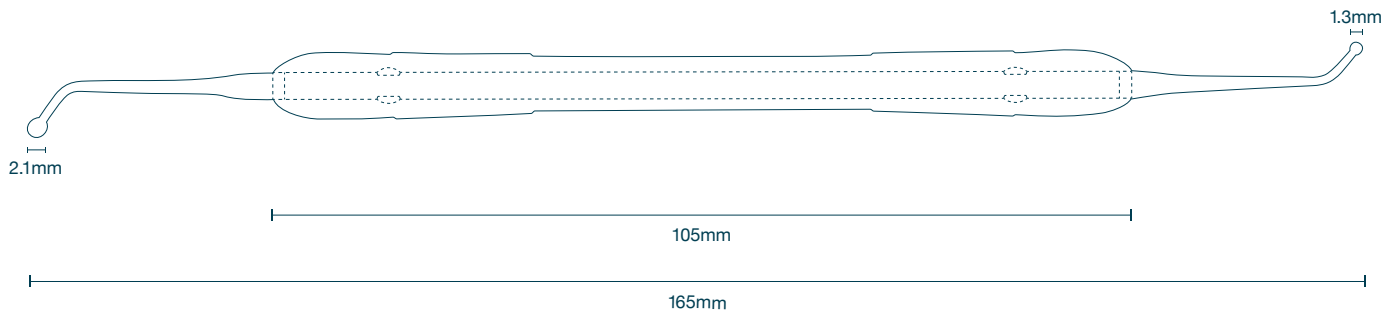
**SINGLE USE**



**S2003**

**Two Piece |  
Restorative Kit**

## BB56 | Ball Burnisher



### Description

The perfect blending tool. Our ball burnisher has both small and large tip ends to effectively condense and shape the composite against the cavity wall surfaces.

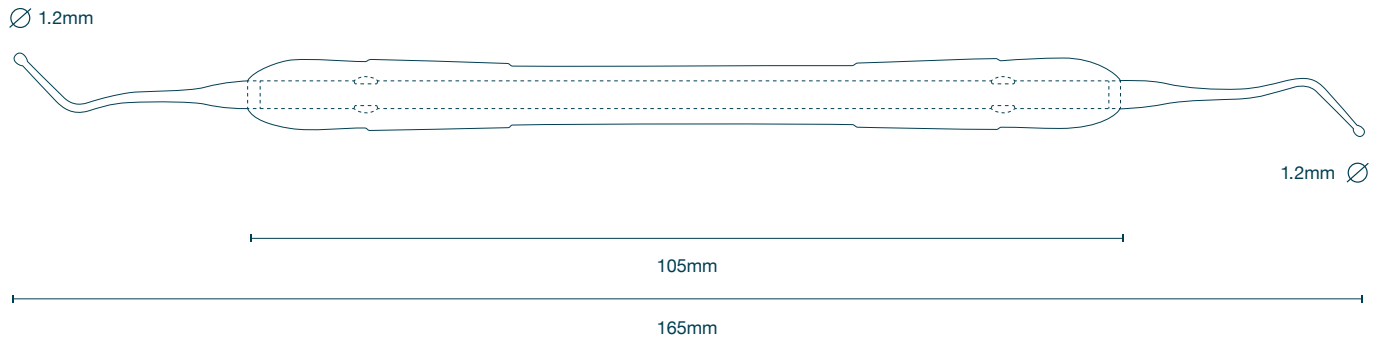
### Features

- Double-ended instrument
- Precision manufactured stainless steel tips
- Ergonomic handle with ridges and grooves for improved grip
- Stainless steel stem for added stability
- Latex-free
- Arrives sterile and ready for use
- GS1 Data matrix
- CE Certified

### Materials

- Stainless steel
- Acrylonitrile butadiene styrene (ABS)

## XC67 | Small Spoon Excavator



### Description

One of our bestsellers, our Small Spoon Excavator is a popular choice for removing caries within deep cavities.

### Features

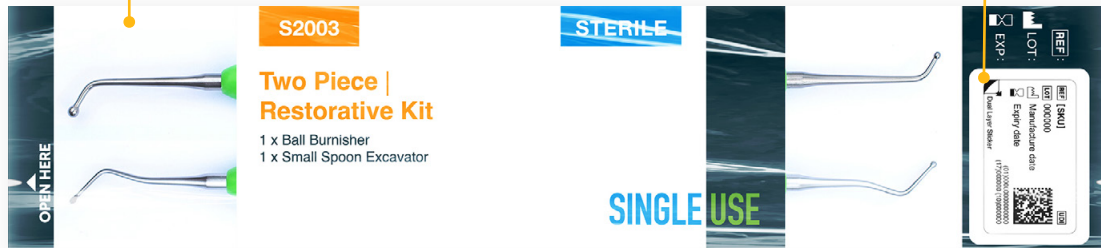
- Double-ended instrument
- Precision manufactured stainless steel tips
- Small spoon diameter; 1.2mm
- Ergonomic handle with ridges and grooves for improved grip
- Stainless steel stem for added stability
- Latex-free
- Arrives sterile and ready for use
- GS1 Data matrix
- CE Certified

### Materials

- Stainless steel
- Acrylonitrile butadiene styrene (ABS)

Products arrive in a protective, sterile sleeve allowing for immediate use.

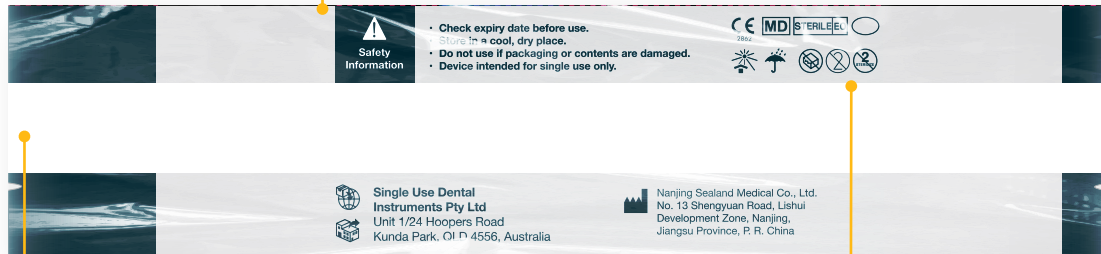
Removable label with GS1 Data Matrix and product code for electronic data recording and patient logbooks.



Easy access tear design for aseptic instrument opening.

Identifiable instructions for use and product storage requirements.

Sterilised with Ethylene Oxide.



Tyvek® medical dialysing strip.

CE & regulatory identification marks in line with industry standards.

## Our Products

Our unique, single-use instruments were designed with simplicity in mind. Featuring a broad variety of diagnostic and restorative instruments, our goal is to remove daily stress for clinicians and improve patient safety. Not only convenient, we have created a product range that is focused on quality and sustainability. Our single use instruments arrive sterile and ready for immediate use. The ergonomic handle is made from ABS plastic and features ridges and grooves for an improved grip. The stainless-steel stem provides additional weight and durability to ensure it is fit for purpose. Precision manufactured stainless steel tips replicate the design and function of re-usable instruments.

## Packaging and materials

We are committed to reducing the environmental impact of our products. As such our products and packaging are manufactured with recyclable materials. Additionally, we source recycled cardboard to create our benchtop dispensers and shipping containers.

## Quality assurance

All our instrument manufacturing has CE and ISO certification to ensure quality compliance with industry standards.

## Tyvek® medical dialysing strip

A Tyvek® medical dialysing strip is incorporated into all our product sleeves. Comprising of flashspun and bonded high-density polyethylene (HDPE) filaments, the strip provides a microbial barrier and exceptional tear and puncture resistance to maintain product integrity during transit.

# SINGLE USE

**Single Use Dental Instruments Pty Ltd**

07 5445 6486 | [singleuse.au](http://singleuse.au)  
[sales@sudinstruments.com](mailto:sales@sudinstruments.com)

1/24 Hoopers Road  
Kunda Park, QLD Australia 4556

---